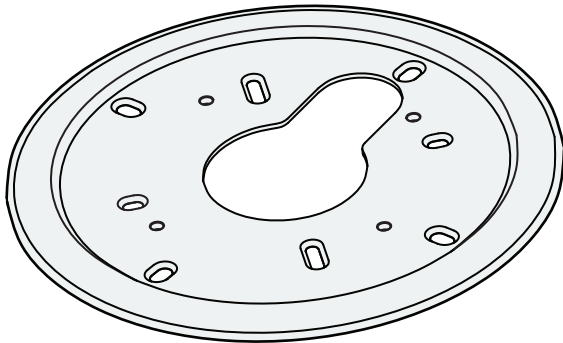




Electrical Box Adaptor Plate Installation sheet



To install the electrical adaptor plate

1 Remove the dome cover and camera assembly (if fitted)
Follow the instructions provided with the dome enclosure to remove the cover and the camera assembly.

2 Open the enclosure base holes
Carefully open the four enclosure base mounting holes (B5) and also the base knockout (B6) for cable access.

3 Attach the adaptor plate to the electrical box
Orientate the adaptor plate (A1) so that the countersunk sides of its screw holes are facing away from the appropriate box (A2). Align the extended part of the adaptor plate's main hole with the access hole in the base of the box. Pass the power and video cabling through the main hole and then use the appropriate screws (A3) to attach the adaptor plate to the electrical box.

Note: The adaptor plate will attach to a 4S, double gang or single gang box. Depending on the manufacturer, 4S boxes have either 2 or 4 screw holes.

4 Attach the enclosure assembly to the adaptor plate
IMPORTANT: If the dome is being mounted externally, use a suitable sealant around the cable access hole to ensure a moisture resistant seal.
Place the enclosure (B1) into its large rubber gasket (B2) and outer ring (B3). Orientate the resulting enclosure assembly so that the four base mounting holes align with those of the adaptor plate and the enclosure base knockout aligns with the main hole of the adaptor plate. Pass the cabling through the base knockout of the enclosure and then attach the enclosure to the adaptor plate (B4) using the four supplied o-ring seals and 3/16 x 1/2 screws.

Note: Do not overtighten the securing screws.

5 Fit the camera assembly and replace the dome cover
Follow the instructions provided with the dome enclosure (and camera) to fit the camera assembly, connect the wiring, set-up the camera and replace the dome cover.

Packing list

In addition to this installation sheet, your package should contain:

- 1 x VP-4S Electrical Box Adaptor Plate
- 1 x screw pack to fix the plate onto the electrical box.
- 4 x screws (3/16 x 1/2) to fix the dome enclosure onto the mount plate
- 4 x O-ring seals

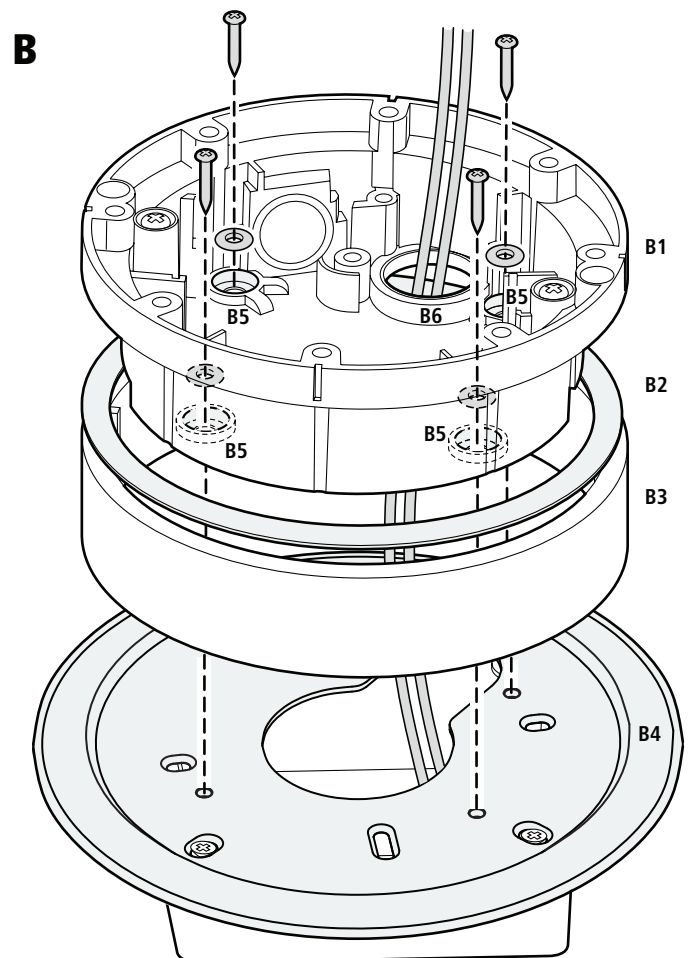
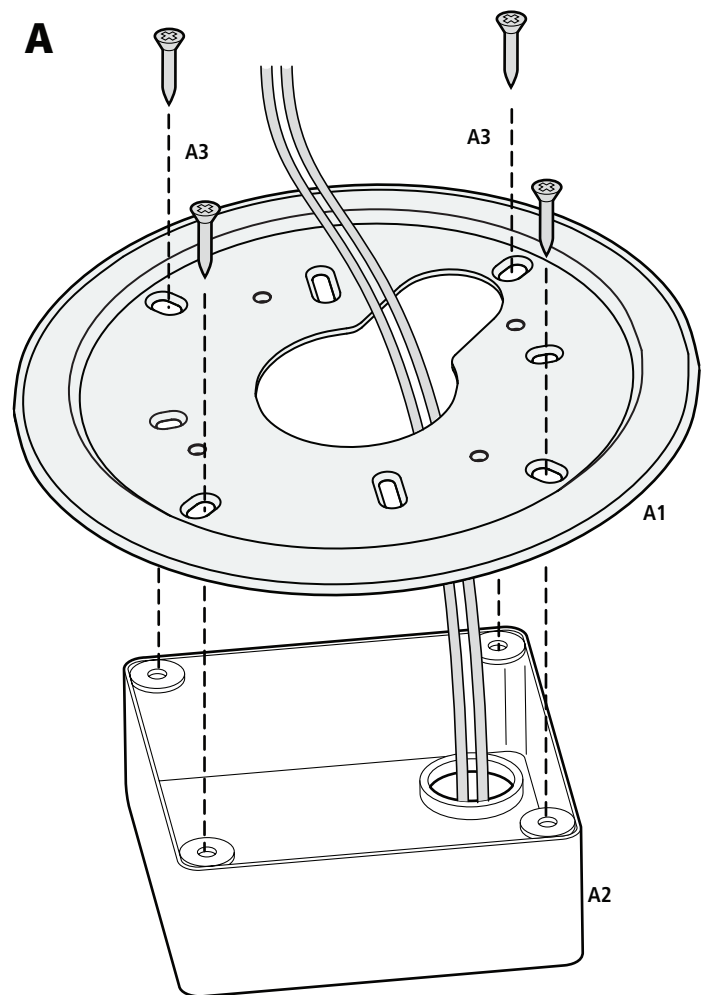
Please visit our website for more information

www.deView.com

Product specifications subject to change without notice.

Certain product names mentioned herein may be trade names and/or registered trademarks of other companies.

V531-DC004-201
Ver. 04/2008

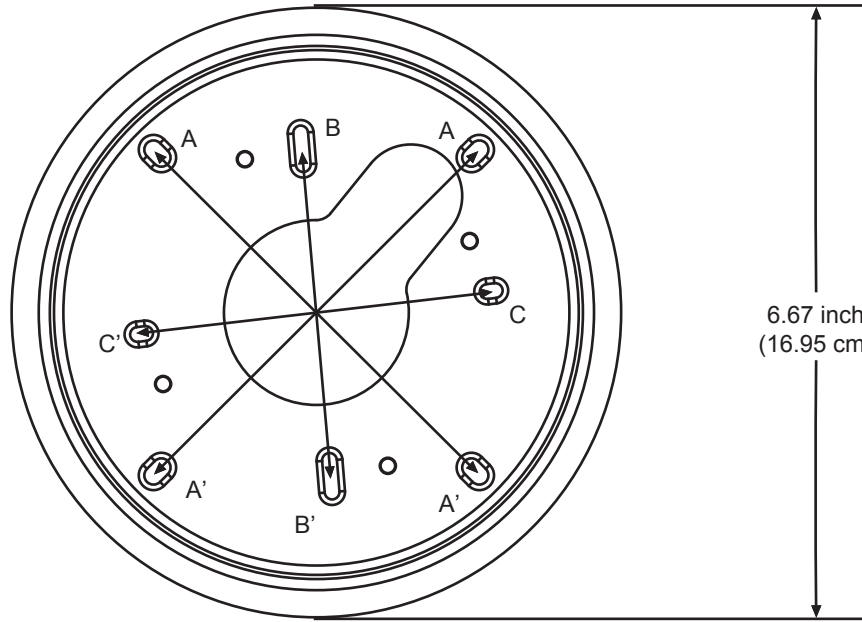


Note: The BNC connector should be covered to prevent grounding on the metal electrical box.

Match the Adaptor mounting locations

Select the proper securing holes to match your electrical box selection.

- A. 4S Electrical Box
- B. Single Gang Box
- C. Double Gang Box



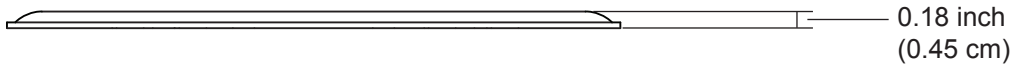
Material: SPCC (Steel-Plate-ColdRolled-Coil)
Color: RAL 9003
Weight: 252 g
Dimensions: $\varnothing = 6.67$ inch (16.95 cm)
H = 0.32 inch (0.80 cm)

6.67 inch
(16.95 cm)

Dimensions of the Apertures

- A. $\varnothing=0.23$ inch (0.59 cm), A~A'= 4.80 inch (12.20 cm).
- B. $\varnothing=0.14$ inch (0.36 cm), B~B'= 3.78 inch (9.60 cm).
- C. $\varnothing=0.21$ inch (0.53 cm), C~C'= 3.32 inch (8.42 cm).

Top View



Side View