

IP DOME CAMERA



Megapixel IP Dome Camera



KEY FEATURES

- 1/2.8" HD CMOS sensor
- 2MP resolution 1920 x 1080
- low illumination 0.002Lux
- Supports day and night function
- Support T-WDR
- H.265/H.264 dual-stream media server

IP DOME CAMERA

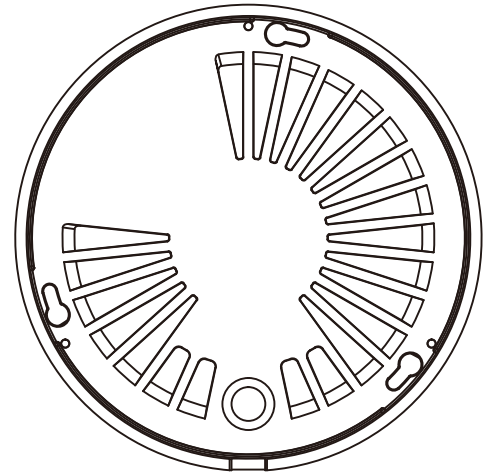
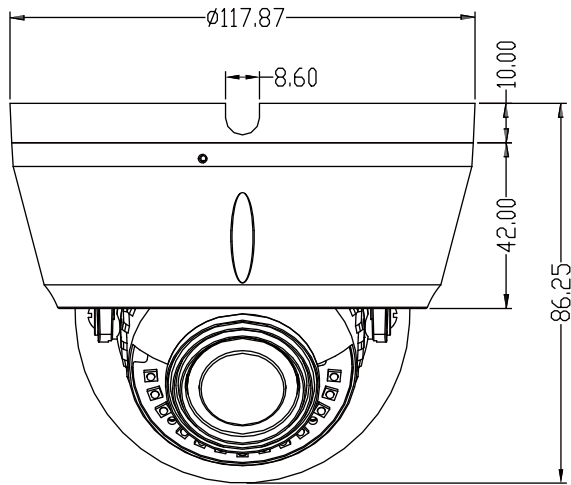
Specifications

Camera	
Image Sensor	1/2.8" SONY CMOS
Effective Pixels	1920(H)×1080 (V)
Lens	2.8-12 mm Motorized, Auto Iris, DC drive
Electronic Shutter	Auto/ Manual(1/25~ 1/10000)
Min. Illumination	0Lux/F1.4 (IR ON), Color: 0.02Lux/F1.4,B/W:0.002Lux/F1.4
Day/Night	TDN, Auto/Color/B/W/Ext
WDR	T-WDR, Off/Low/Middle/High
Dynamic Range	≤ 120dB
White Balance	Auto
R/N ratio	≥ 50dB (AGC OFF)
DNR	3D NR
Video Parameter	Mirror, Corridor mode, Sharpness/Brightness adjustable
Encode	
Video Compression	H.265/H.264/MJPEG
Encoding Streaming	PAL: 1080P @25fps+ D1@25fps NTSC: 1080P @30fps+ D1@30fps
Video Bitrates	Constant bit rate, variable bit rate (16kbps~8000kbps)
Stream Type	Complex stream / video stream
Audio Compression	G.711u
Audio bit rate	64 Kbps
Network Services	
Protocol	TCP/IP, UDP, HTTP, DHCP, RTSP, DDNS, NTP, PPPOE, UPNP, SMTP, ONVIF
Web	IE, etc.
Alarm function	Network abnormal, mask alarm, motion detection, intelligent alarm, etc.
Password protection	Support
Privacy zones	4 zones
Ports	
Network Interface	RJ45 10M/100M network adaptive
Video output	CVBS signal by BNC connector
Audio	Line in / Line out
Alarm	2CH input / 1CH output
RS485	Support, half-duplex mode
TF card	Max. 128GB
Reset	Support
General	
Operating temperature /humidity	-20°C ~ 55°C/0%-90%
Power Supply	DC 12V/AC 24V/PoE
Power Consumption	< 7W
Dimensions(mm)	96(H)*Φ117(L)mm
IR Option	Non-IR; IR20m, 12pcs IR leds
Weight/PCS(g)	660g

IP DOME CAMERA

Dimensions

Unit: mm



Ordering Information

IR	Power	Lens	IRIS	Model No.
Non IR	DC 12V/AC 24V/PoE	2.8-12mm	Fixed	VDMI28F12WD (discontinued)
		2.8-12mm Motorized		VDMI28M12WD (discontinued)
IR 20m		2.8-12mm		VDMIIR28F12WD (discontinued)
		2.8-12mm Motorized		VDMIIR28M12WD