

IP MINI DOME CAMERA



Megapixel IP Mini Dome Camera



KEY FEATURES

- 1/2.8" HD CMOS sensor
- 2MP resolution 1920 x 1080
- low illumination 0.002Lux
- Supports day and night function
- Support T-WDR
- H.265/H.264 dual-stream media server

IP MINI DOME CAMERA

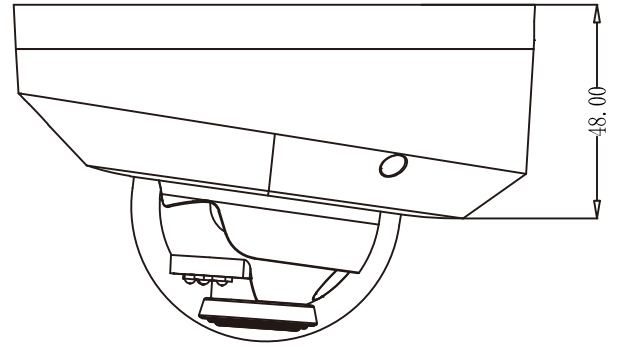
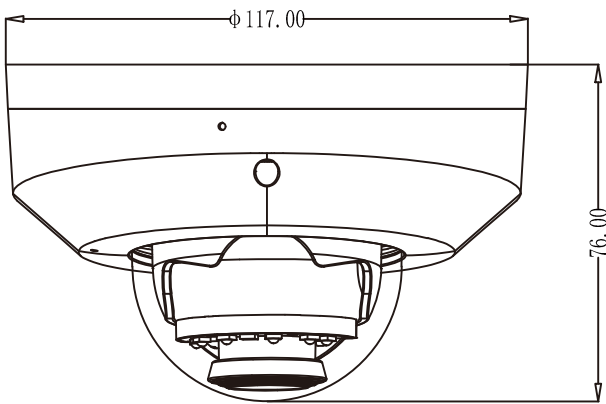
Specifications

Camera	
Image Sensor	1/2.8"SONY CMOS
Effective Pixels	1920(H)×1080 (V)
Lens	3.6mm
Electronic Shutter	Auto/ Manual(1/25~1/10000)
Min. Illumination	0Lux@F1.4 (IR ON),Color: 0.02Lux@F1.4,B/W:0.002Lux@F1.4
Day/Night	TDN, Auto/Color/B/W/Ext
WDR	T-WDR, Off/Low/Middle/High
Dynamic Range	≤ 120dB
White Balance	Auto
R/N ratio	≥ 50dB (AGC OFF)
DNR	3D NR
Video Parameter	Mirror, Corridor mode, Sharpness/Brightness adjustable
Encode	
Video Compression	H.265/H.264/MJPEG
Encoding Streaming	NTSC: main stream:1920*1080@30fps, sub-stream: D1@30fps PAL: main stream:1920*1080@25fps, sub-stream: D1@25fps
Video Bitrates	Constant bit rate, variable bit rate (16kbps~8000kbps)
Audio Compression	G.711u
Audio bit rate	64 kbps
Network Services	
Protocol	TCP/IP, UDP, HTTP, DHCP, RTSP, DDNS, NTP, PPPOE, UPNP, SMTP, FTP, ONVIF
Web	IE, etc.
Alarm function	Network Abnormal, Mask Alarm, Motion Detection, Intelligent Alarm, etc.
Password protection	Support
Privacy Mask	4 zones
Ports	
Network Interface	RJ45 10M/100M network adaptive
Analog video output	1CH 1.0 Vp-p complex video output
Audio	Line in / Line out
Alarm	2CH input / 1CH output
RS485	Support
TF Card	Max. 128GB
Reset	Support
General	
Operating temperature /humidity	-20°C ~ 55°C/0%-90%
Power Supply	12 VDC ,24VAC, POE
Power Consumption	< 6W
Dimensions	117(D)*76(H)mm
IR Option	Non-IR; IR10m, 6*IR Leds
Weight/PCS	630g

IP MINI DOME CAMERA

Dimensions

Unit: mm



Ordering Information

IR	Power	Lens	IRIS	Model No.
Non IR	DC 12V/AC 24V/PoE	2.8/3.6/6.0mm	Fixed	VDM15IF36WD (discontinued)
IR 20m	DC 12V/AC 24V/PoE			VDM15IIRF36WD