



Megapixel IP Box Camera



KEY FEATURES

- 1/2.8" HD CMOS sensor
- 2MP resolution 1920 x 1080
- low illumination 0.002Lux
- Supports day and night function
- Support T-WDR
- H.265/H.264 dual-stream media server



IP BOX CAMERA

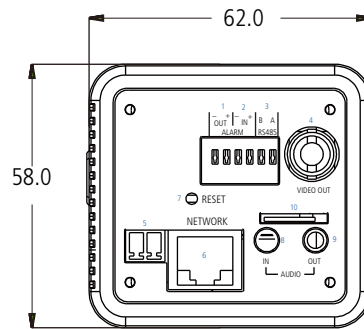
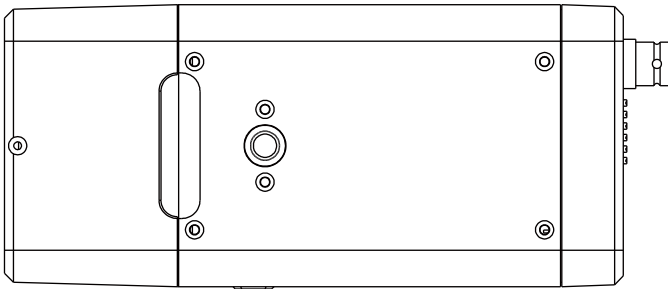
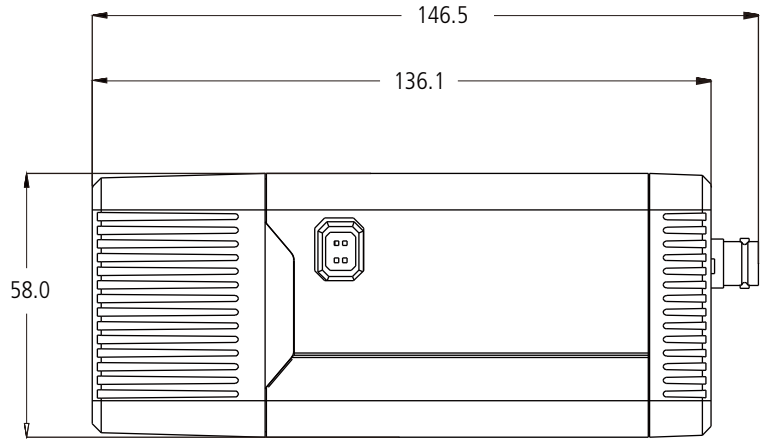
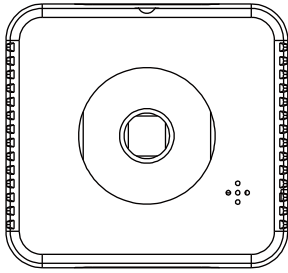
Specifications

Camera	
Image Sensor	1/2.8" SONY CMOS
Effective Pixels	1920(H)×1080 (V)
Lens Interface	C/CS
Electronic Shutter	Auto/ Manual(1/25~1/10000)
Min. Illumination	0Lux/F1.4 (IR ON), Color: 0.02Lux/F1.4, B/W: 0.002Lux/F1.4
Day/Night	TDN, Auto/Color/B/W/Ext
WDR	T-WDR
Dynamic Range	≤ 120dB
White Balance	Auto
R/N ratio	≥ 50dB (AGC OFF)
DNR	3D NR
Video Parameter	Mirror, Corridor mode, Sharpness, Brightness adjustable
Encode	
Video Compression	H.265/H.264/MJPEG
Encoding Streaming	PAL: 1080P @25fps+ D1@25fps NTSC: 1080P @30fps+ D1@30fps
Video Bitrates	Constant bit rate, variable bit rate (16kbps~8000kbps)
Audio compression	G.711U
Network Services	
Protocol	TCP/IP, UDP, HTTP, DHCP, RTSP, DDNS, NTP, PPPOE, UPNP, SMTP, ONVIF
Web	IE, etc.
Alarm function	Network abnormal, mask alarm, motion detection, intelligent alarm, etc.
Password protection	Support
Privacy zones	4 zones
Ports	
Network Interface	RJ45 10M/100M network adaptive
Audio	Line in / Line out
Alarm	1CH input / 1CH output
RS 485	Support
TF card	Max. 128GB
Reset	Support
General	
Operating temperature / humidity	-10°C ~ 50°C/0%-90%
Power supply	DC12V, AC24V, POE
Power consumption	<6W
Dimensions(mm)	62(W)*58(H)*146.5(L) mm
Weight/PCS(g)	500g

IP BOX CAMERA

Dimensions

Unit: mm



Interface:

1. Alarm output
2. Alarm input
3. RS485
4. Analog video output
5. Power supply input
6. Network interface
7. Reset
8. Audio input
9. Audio output
10. TF card slot

Ordering Information

Power	IRIS	Model No.
DC 12V/AC 24V/PoE	Auto	CSI702PWD