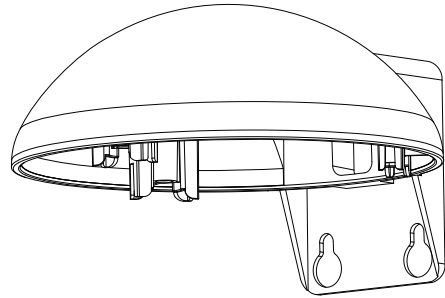




MD4-PWM Pendant Wall Mount Cap Installation Sheet

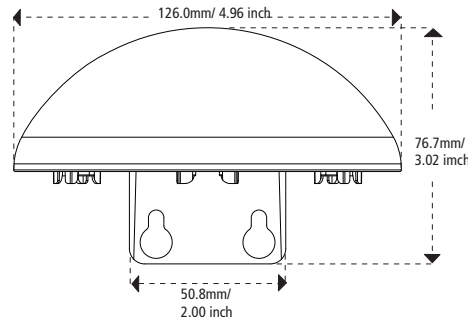


Product Overview

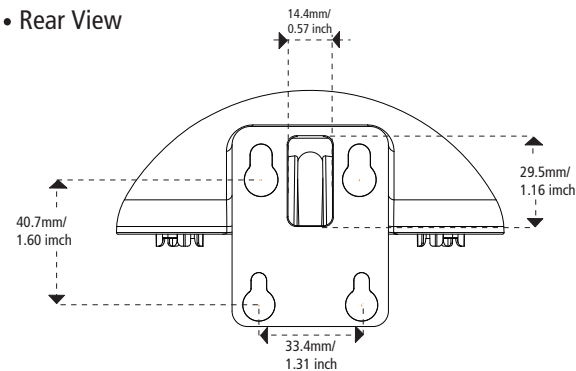
• Dimensions

Material	Polycarbonate
Size	∅ : 4.96 inch (126.00mm) H : 3.02inch (76.70mm)
Unit Weight	0.147 lbs (66.7g)
Shipping Weight (per piece)	0.278 lbs (126g)

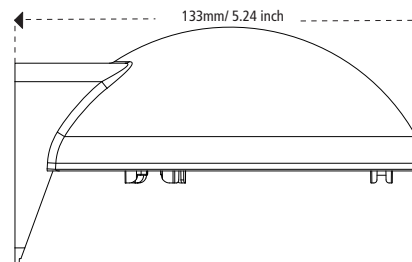
• Front View



• Rear View



• Side View

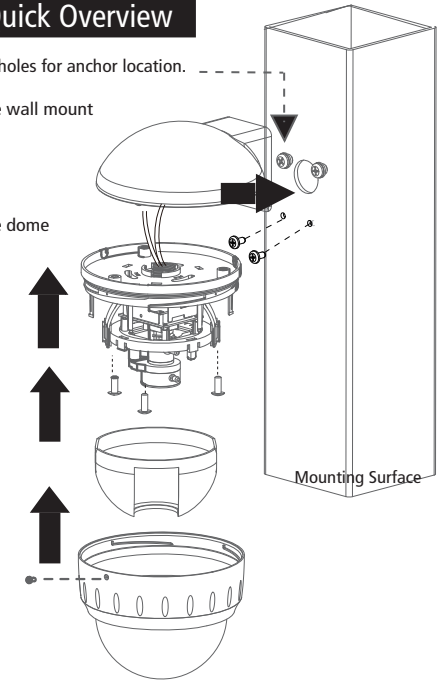


Installation Quick Overview

Step 1 Prepare 4 holes for anchor location.

Step 2 Install the wall mount

Step 3 Install the dome



Precautions

To prevent damage to your dome camera or injury to yourself or to others, please read and comply with the safety precautions in the enclosure installation and camera sheet before installation and use.

Please visit our website for more information
www.deview.com

Product specifications subject to change without notice.
Certain product names mentioned herein may be trade names and/or registered trademarks of other companies.

Package Kit

- Wall Mount x 1
- Copper Sleeves x 2
- Self-tapping Screws x 3
- Wall Plugs x 4
- Screws x 4

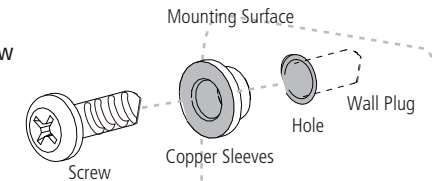


V531-JWA00-200
Ver.: 03/2010

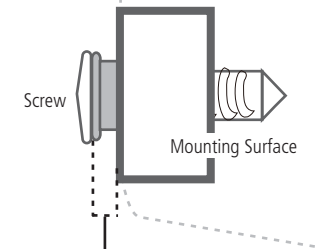
About Copper sleeves

The following illustrates how to install copper sleeves. For more information, please see "2. Installing Wall Mount" overleaf.

• Explosion View



• Sectional View

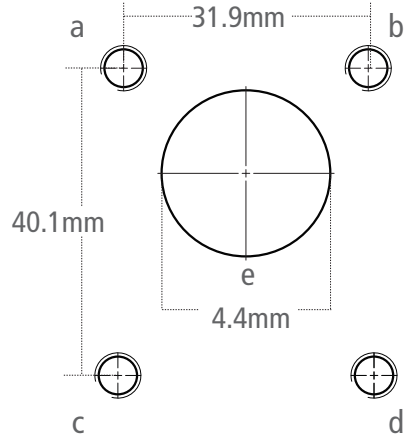


The copper sleeves create the required space which allows the mount to be installed using the four mounting holes

1. Preparing Mounting Surface

Prepare the mounting surface with the template provided below. Create 4 holes as anchor points a-d (install 4 wall plugs if appropriate for surface type) and one cable entry e.

Template

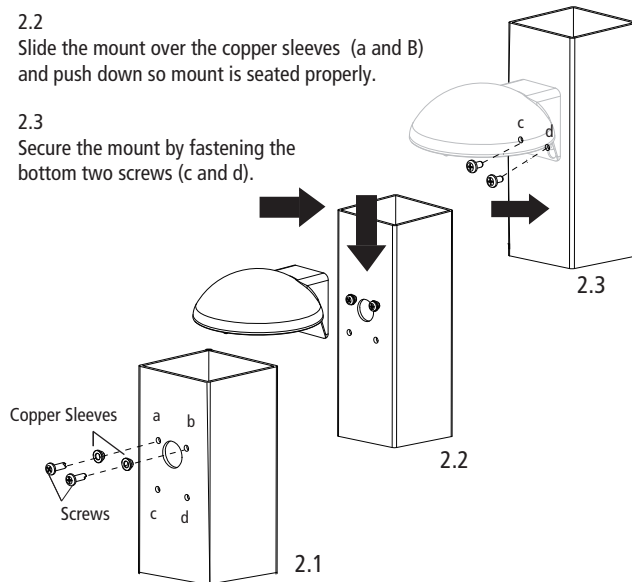


2. Installing Wall Mount

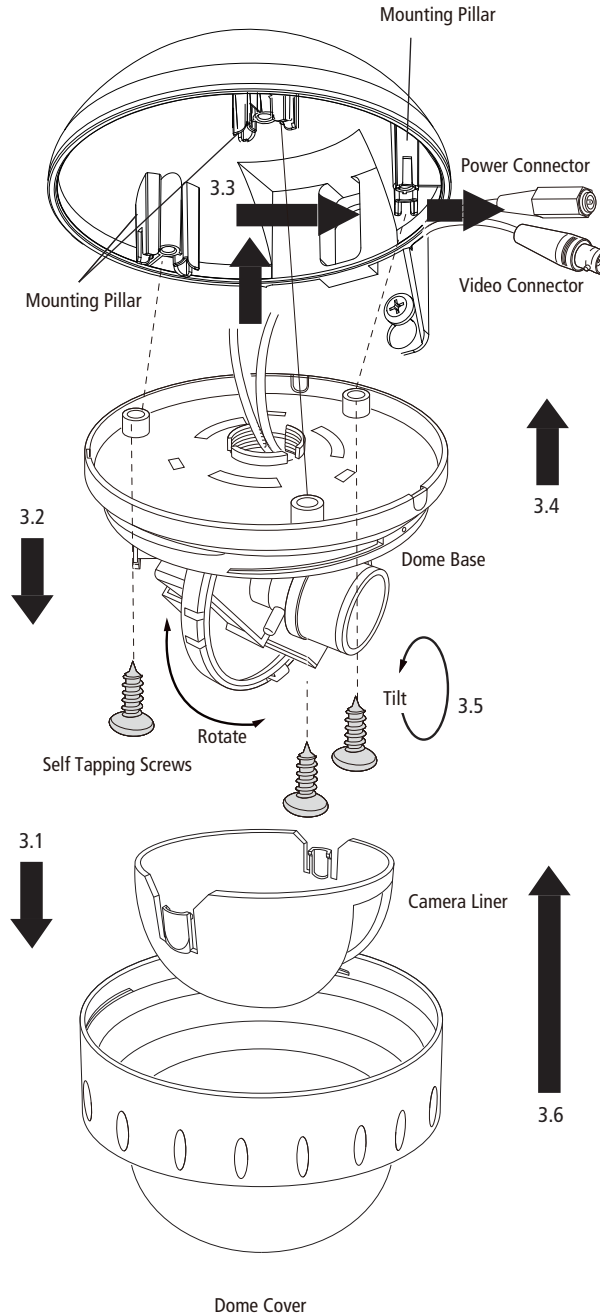
2.1 Slide copper sleeves on screws and fasten into mounting holes (a and b).

2.2 Slide the mount over the copper sleeves (a and b) and push down so mount is seated properly.

2.3 Secure the mount by fastening the bottom two screws (c and d).



3. Installing Camera on Mount



The following describes the methods to install the camera on the wall mount. Please kindly refer to the left illustration when you read through the installation instructions.

3.1
Remove the dome cover and camera liner

3.2
Open the base mounting holes
Carefully open the three base mounting holes (used for securing the enclosure to the mount)

3.3
Connecting the cables
Connect the video and power cable, Limit your cable length that is coming into mount to 6". Arrange the cables inside the mount.

3.4
Fit the dome base onto the mount
Place the dome base onto the three mounting pillars within the mount. Insert and tighten the three mounting screws.

3.5
Adjust the camera position and test
Adjust the camera to the required position and test. See detailed instructions in the enclosure and camera installation sheets

3.6
Install the camera liner and cover
Carefully fit the camera liner on the camera module. Install and secure the dome cover and secure with the supplied tamper screw.

