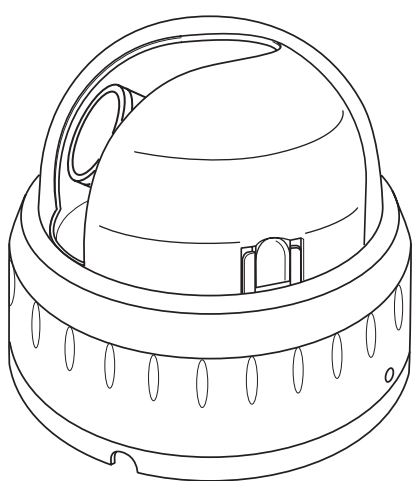


VIEW
MD4 INDOOR DRONE
 Enclosure Installation Sheet



Template

Surface mount (On a wall or ceiling)

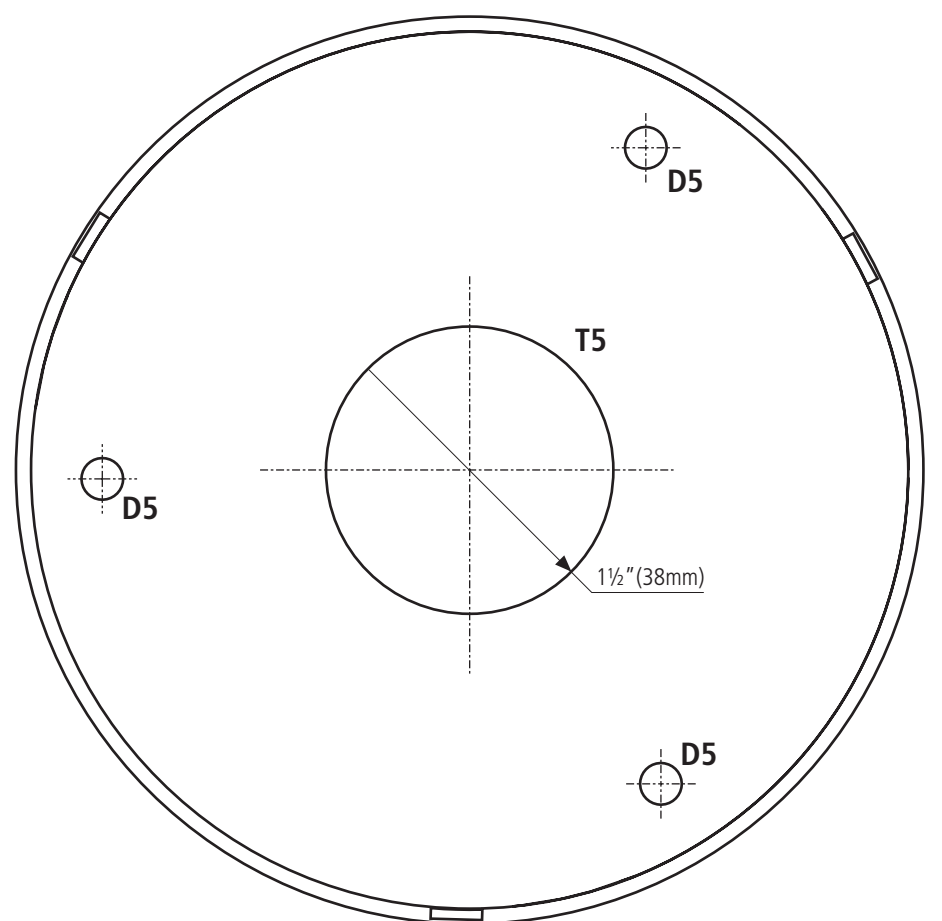
Using Quick Install Mount: Create an aperture in the mounting surface to a diameter of 1 1/2" (38mm) as indicated by "T5".

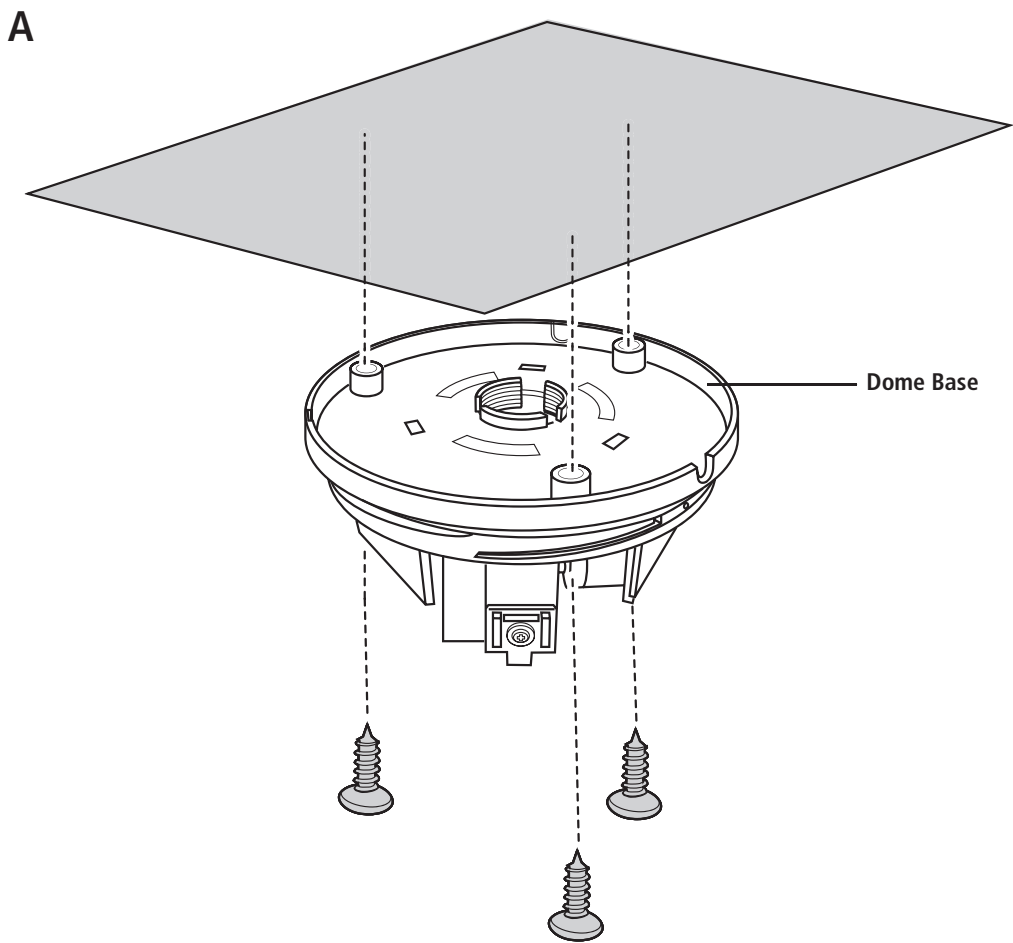
Using screws: Create three holes at template positions "D5" of diameter 1/4" (7.5mm) and insert a wall plug into each. Use three D5 screws.

Cable access

The cables are threaded through the base knock-out (shown in C1 overleaf). It is threaded for use with the quick install mount.

When mounting the dome on a surface with the three screws, use one of the side knock-outs as indicated by C3 shown in fig C overleaf for cable entry.





Installing the dome enclosure

1. Remove the dome cover and the camera liner

Gently turn the dome cover counter-clockwise to unlock and pull free from the dome base.
Remove the camera liner by gently pulling it free from the two notches C4 in the camera base (see fig C).

2. Use the template to mark-out and prepare the mounting area

When mounting the dome to a ceiling or wall using screws, first knock out the screw access holes (B2) that correspond to the template marks (D5). This can be done by using a cross-point screwdriver.

3. Mount the dome enclosure

Mount the dome enclosure and fix it in place.

4. Install the camera liner

Carefully fit the camera liner (D1) over the camera base so that it snaps into place as shown in fig.D.

5. Replace the dome cover

Replace the dome cover (D2) and rotate to close it as shown in fig. D. Use the supplied Tamper screw to secure the lid to the dome base (see fig E).

Packing list

In addition to this installation sheet:

- D5 fixing screws x 3
- Tamper screw x 1
- Wall plugs x 3
- Cable entry sealing plug (3/4", for dome base) x 1

Note: Always use the template provided

Please visit our website for more information

www.deview.com

All Rights Reserved

Product specifications subject to change without notice.
Certain product names mentioned herein may be trade names and/or registered trademarks of other companies.



V531-DEXXX-XXX
Ver 10/2008

