

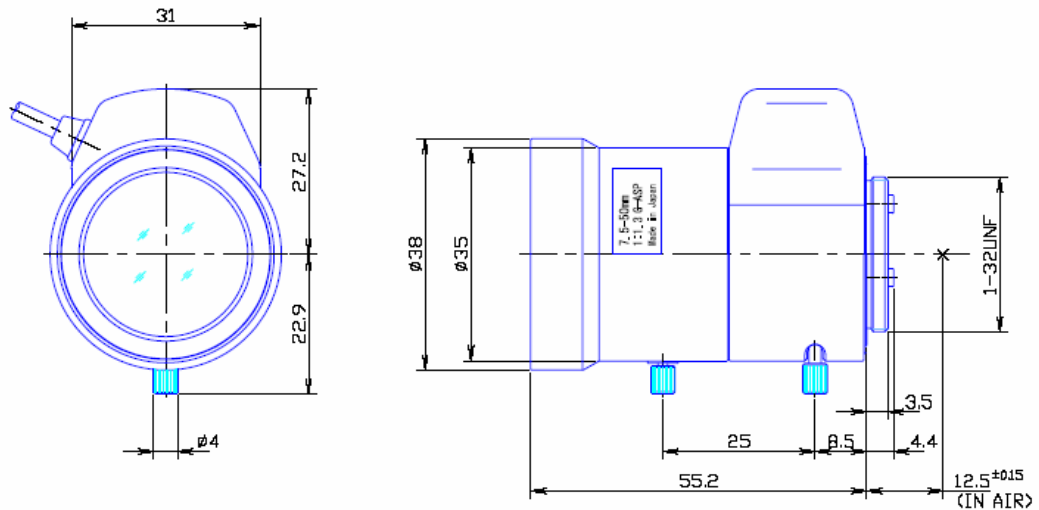
LVCS775I

Premium Plus Lens, IR Corrected, Aspherical, Varifocal, AI, F1.3, CS, 1/3", 7.5-50mm

| | | | | | |
|---------------------------|-------------------|------------------|----------------|----------------|---------|
| Type | AI VARI | Mount | CS | | |
| Focal Length | 7.5~50mm | Back Focus | 11.96 ~ 9.61mm | | |
| Fno. | F1.3 | Mechanical Bf | 8.1mm | | |
| Designed Image Format | 1/3"(4.8x3.6mm) | Exit Pupil | - | | |
| Operation Range | Iris | F1.3~F360 | Filter Size | - | |
| | Focus | 0.4m ~ infinity | Aperture | Front | ø25.7mm |
| | Zoom | 7.5~50mm | | Rear | ø9.8mm |
| Control | Iris | DC Galvanometer | Dimension | 38x50.1x55.2mm | |
| | Focus | Manual | | Weight | |
| Object Size at MOD | Wide | - | | | |
| | Tele | - | | | |
| Field of View | D | 1/3" 46.2'~7.00' | 1/4" | 34.20'~5.30' | |
| | H | 36.6'~5.64' | | 27.40'~4.26' | |
| | V | 27.4'~4.26' | | 20.40'~3.22' | |
| Control | Iris | Focus | Zoom | | |
| Driving Coil/Supply Volt. | 190Ω | - | - | | |
| Damping Coil/Current | 855Ω | - | - | | |
| Response Time | - | - | - | | |
| Potentiometer | - | - | - | | |
| Light Measuring Method | - | - | - | | |
| Input Signal | - | - | - | | |
| Iris Accuracy | - | - | - | | |
| Sensitivity Adjustment | - | - | - | | |
| Operating Temperature | -10 ~ +50 Celsius | - | - | | |

1/3"
CS
CSD

DIMENSIONS



Wiring Diagram

1) 4 Pin Standard Connector for Auto Iris

| | |
|----------|-------------|
| Pin No.1 | Damping (-) |
| 2 | Damping (+) |
| 3 | Driving (+) |
| 4 | Driving (-) |

