

# LVCS56

Premium Lens, Varifocal, AI, F1.6, CS, 1/3", 5-60mm

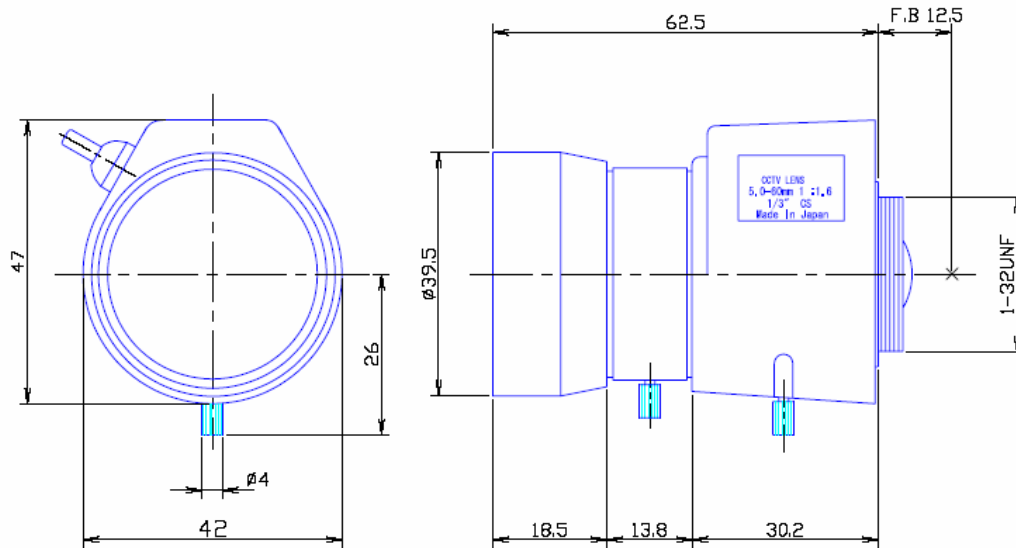
Type	AI VARI		Mount	CS	
Focal Length	5.0~60mm		Back Focus	7.42mm	
Fno.	F1.6		Mechanical Bf	12.5mm	
Designed Image Format	1/3"(4.8x3.6mm)		Exit Pupil	-	
Operation Range	Iris	F1.6-F360	Filter Size	-	
	Focus	0.3m ~ infinity	Aperture	Front	ø33.8mm
	Zoom	5.0~60mm		Rear	ø8.6mm
Control	Iris	DC Galvanometer			
	Focus	Manual	Dimension	42.0x47.0x62.5mm	
	Zoom	Manual	Weight	123g	
Object Size at MOD	Wide	-			
	Tele	-			
Field of View	D	65.5°~5.8°	1/4"	50.1°~4.4°	
	H	52.5°~4.6°		39.4°~3.5°	
	V	39.4°~3.4°		30.5°~2.6°	
Control	Iris		Focus	Zoom	
Driving Coil/Supply Volt.	190Ω		-	-	
Damping Coil/Current	1150Ω		-	-	
Response Time	-		-	-	
Potentiometer	-		-	-	
Light Measuring Method	-				
Input Signal	-				
Iris Accuracy	-				
Sensitivity Adjustment	-				
Operating Temperature	-10 ~ +50 Celsius				

1/3"

CS

CSD

## DIMENSIONS



## Wiring Diagram

1) 4 Pin Standard Connector for Auto Iris

Pin No.1	Damping (-)
2	Damping (+)
3	Driving (+)
4	Driving (-)

