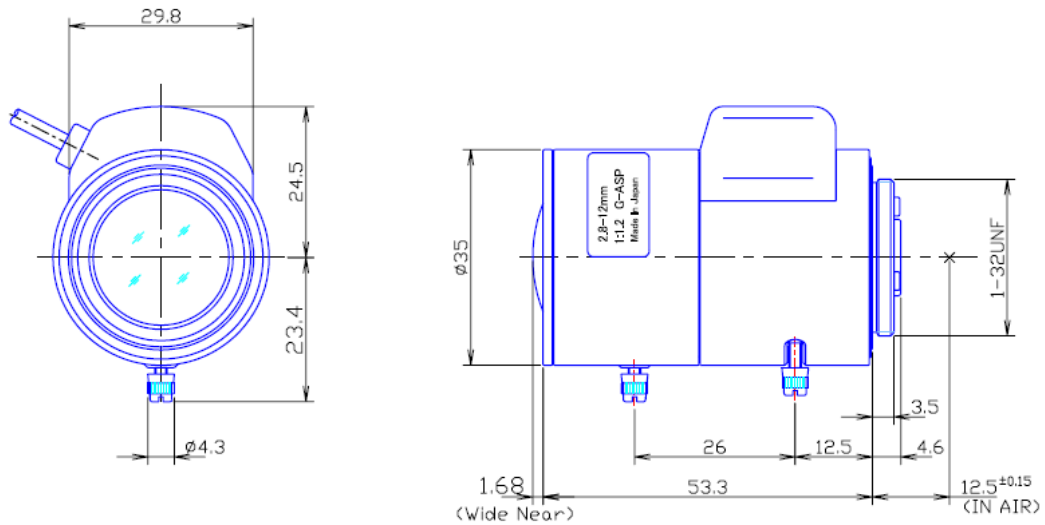


## LVCS2812I

Premium Plus Lens, IR Corrected, Aspherical, Varifocal, AI, F1.2, CS, 1/3" 2.8-12mm

Type	AI VARI		Mount	CS	
Focal Length	2.8~12mm		Back Focus	8.1 ~ 20.2mm	
Fno.	F1.2		Mechanical Bf	8.1mm	
Designed Image Format	1/3"(4.8x3.6mm)		Exit Pupil	58.9 ~ -31.6	
Operation Range	Iris	F1.2-F360	Filter Size	-	
	Focus	0.2m ~ infinity	Aperture	Front	ø20.9mm
	Zoom	2.8~12mm		Rear	ø8.9mm
Control	Iris	DC Galvanometer			
	Focus	Manual	Dimension	35x47.9x53.3mm	
	Zoom	Manual	Weight	50g	
Object Size at MOD	Wide	-			
	Tele	-			
Field of View	D	1/3" $\frac{124.9^{\circ} \sim 29.7^{\circ}}$	1/4" $\frac{92^{\circ} \sim 22.3^{\circ}}$	CS	
	H	$\frac{98.5^{\circ} \sim 23.8^{\circ}}$	$\frac{73^{\circ} \sim 17.8^{\circ}}$		
	V	$\frac{73^{\circ} \sim 17.8^{\circ}}$	$\frac{54.3^{\circ} \sim 13.4^{\circ}}$		
Control	Iris		Focus	Zoom	
Driving Coil/Supply Volt.	190Ω		-	-	
Damping Coil/Current	855Ω		-	-	
Response Time	-		-	-	
Potentiometer	-		-	-	
Light Measuring Method	-				
Input Signal	-				
Iris Accuracy	-				
Sensitivity Adjustment	-				
Operating Temperature	-10 ~ +50 Celsius		CSD		

### DIMENSIONS



### Wiring Diagram

1) 4 Pin Standard Connector for Auto Iris

Pin No.1	Damping (-)
2	Damping (+)
3	Driving (+)
4	Driving (-)

